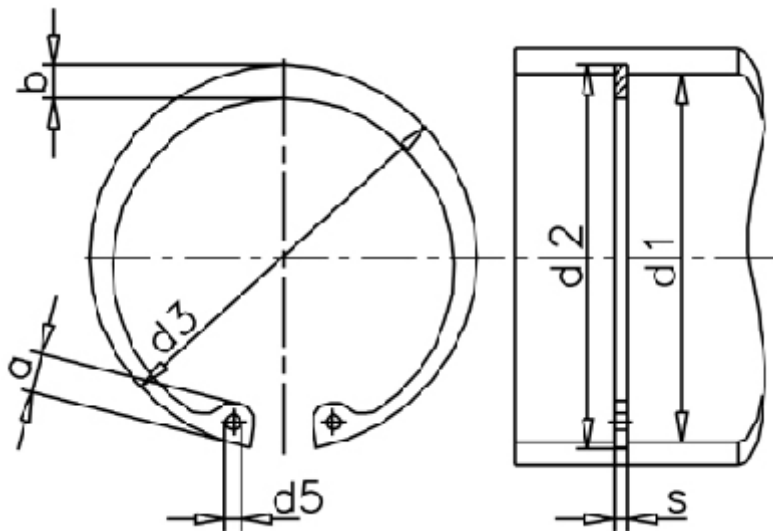


Article number: 01020432

Description: Retaining ring J26 DIN472
Phosphorized bronze 311

Measures



a max	= 4.7	FN kN	= 8.40	t	= 0.60
AN mm ²	= 50.1	FRg kN	= 4.6	tol	= +0,21
b	= 2.8	FR kN	= 13.8	tol	= +0,42--0,21
d1	= 26	g	= 1.0	tol	= -0.06
d2	= 27.2	K kN-mm	= 27.8	Tong	= ZGJ-2
d3	= 27.90	m min	= 1.30	Weight kg/1000	= 1.60
d5 min	= 2.0	Nominal drive	= 1.8		
Description	= J 26	s	= 1.20		